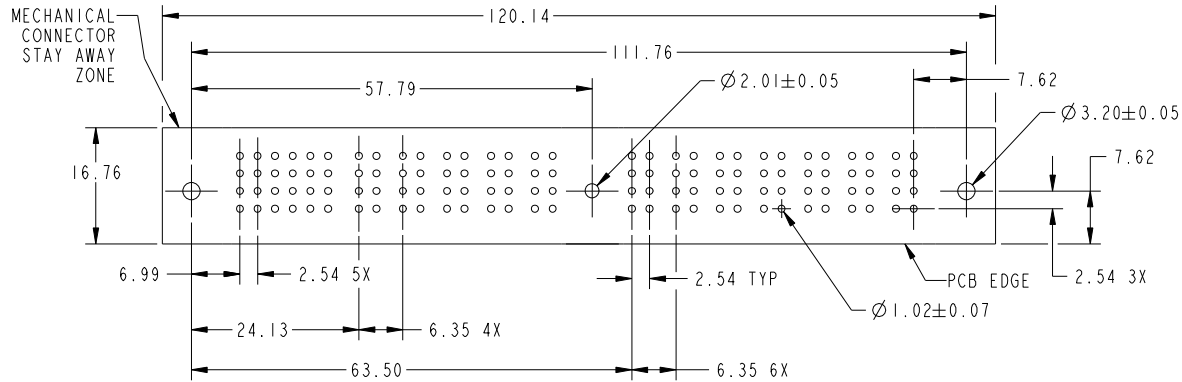
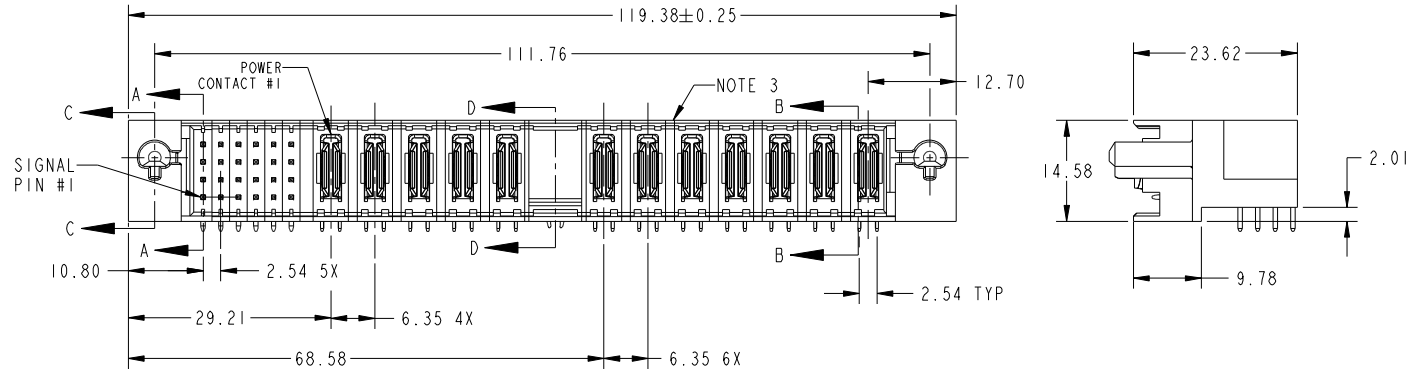


Tous droits strictement réservés. Reproduction ou communication a des tiers interdite sous quelque forme que ce soit sans autorisation écrite du propriétaire. Propriété de c FCI. Droits de reproduction FCI.



All rights strictly reserved. Reproduction or issue to third parties in any form whatever is not permitted without written authority from the proprietor. Property of FCI. Copyright FCI.

PRODUCT NUMBER
SEE SHEET 3



RECOMMENDED PCB LAYOUT

mat'l code				SEE NOTES		tolerances unless otherwise specified		CUSTOMER		FCI	
ltr	ecn no.	dr	date	linear	0.X ± 0.5		COPY		www.fciconnect.com		
H	DG08-0272	JW	09/29/08		0.XX ± 0.25		projection		title 24S + 5P + 1M + 7P		
B	V80383	LEV4	05/27/98		0.XXX ± 0.1				RIGHT ANGLE SOLDER HEADER		
C	V94073	SAR	02/09/00	angles	0° + 2°				product family PwrBlade		code 213
D	V01562	CHB	07/05/00		dr LEV - 1V 02-04-98		INCMIM MM		size		sheet 1 of 3
E	V02753	EKK	12/07/00	enr	J. BROWN	02-04-98	scale 1:1		dwg no 51484		
F	V21234	TAB	07/30/02	chr	J. BROWN	02-04-98					
G	DG05-0363	GuoJM	09/29/05	appd	J. BROWN	02-04-98					
sheet index	revision sheet	H 1	H 2	H 3							

cage code 22526

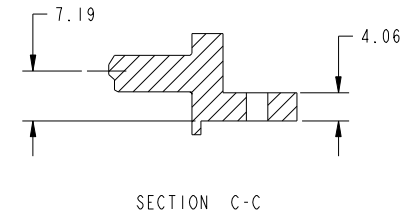
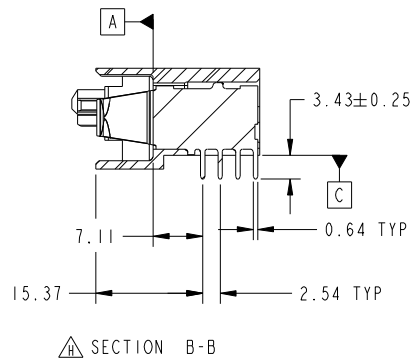
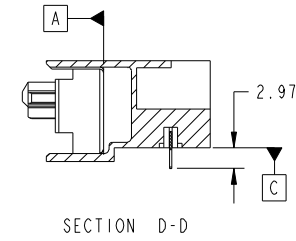
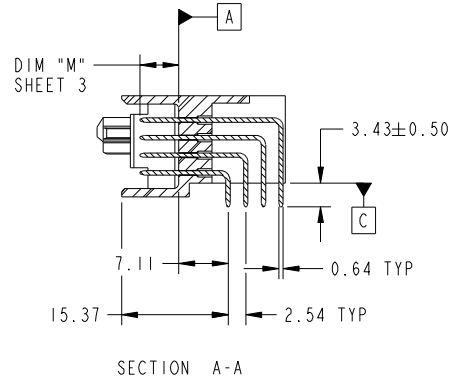
Pro/E

Tous droits strictement reserves. Reproduction ou communication a des tiers interdite sous quelque forme que ce soit sans autorisation ecrite du proprietaire. Propriete de c FCI. Droits de reproduction FCI.



All rights strictly reserved. Reproduction or issue to third parties in any form whatever is not permitted without written authority from the proprietor. Property of FCI. Copyright FCI.

PRODUCT NUMBER
SEE SHEET 3



mat'l code		SEE NOTES		tolerances unless otherwise specified		CUSTOMER		 www.fciconnect.com	
ltr	ecn no.	dr	date	linear	0.X ± 0.5	COPY		title	
H					0.XX ± 0.25	projection		24S + 5P + 1M + 7P	
				angles	0.XXX ± 0.1			RIGHT ANGLE SOLDER HEADER	
				dr	0° ± 2°			product family	
				enr	LEV - IV 02-04-98	1 INCH = 25.4 MM		PwrBlade	
				chr	J. BROWN 02-04-98	scale		code	
				appd	J. BROWN 02-04-98	1:1		213	
sheet index		revision sheet				size		sheet	
						A		2	
						51484			

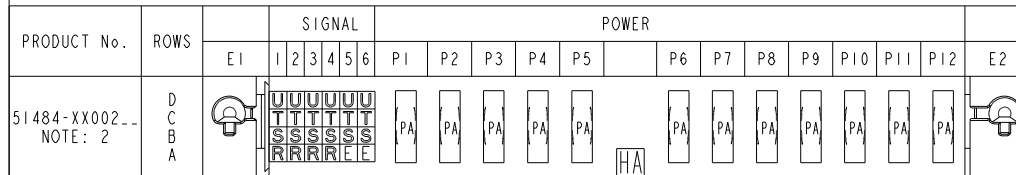
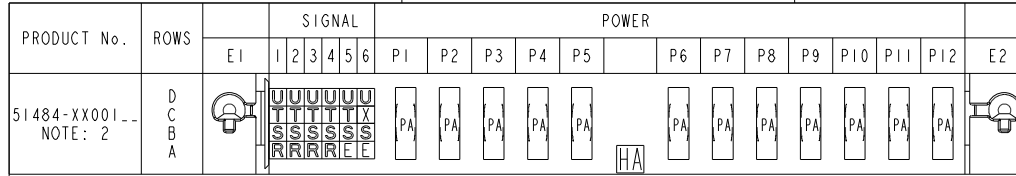
cage code 22526

Pro/E

Tous droits strictement reserves. Reproduction ou communication a des tiers interdite sous quelque forme que ce soit sans autorisation écrite du propriétaire. Propriete de c FCI. Droits de reproduction FCI.



All rights strictly reserved. Reproduction or issue to third parties in any form whatever is not permitted without written authority from the proprietor. Property of FCI. Copyright FCI.



CONNECTOR NOTES:

- HOUSING MATERIAL: UL94 V-0 GLASS FILLED HIGH TEMP. THERMOPLASTIC.
SIGNAL PIN MATERIAL: COPPER ALLOY.
POWER CONTACT MATERIAL: COPPER ALLOY.
- PLATING: SEE ITEM 1 & 2 IN PRINT 10064183 FOR PLATING SPEC OF 51484-XX00X; 51484-XX00XL PRESPECTIVELY
- MANUFACTURER'S NAME, P/N, AND DATE CODE TO APPEAR ON THIS SURFACE.
- PRODUCT SPECIFICATION GS-12-149.

PCB NOTES:

- ALL DIMENSIONS ARE BASIC UNLESS OTHERWISE SPECIFIED.
- ALL THROUGH HOLES ARE LOCATED WITH A TRUE POSITION OF 0.10
- ALL HOLE DIAMETERS ARE FINISHED HOLE SIZE
- Ø2.01 THROUGH HOLES, AND Ø3.20 THROUGH HOLES ARE UNPLATED
- Ø1.151±0.025 DRILLED HOLES PLATED WITH 0.008 MIN SnPb OR Sn OVER 0.03 TO 0.08 Cu PLATING TO ACHIEVE Ø1.02±.07 HOLE.
- A SYMBOL WILL BE NEXT TO ANY DIMENSION, VIEW, OR NOTE WHICH HAS BEEN MODIFIED WITH THE CURRENT DRAWING REVISION.

ITEM NO.	DIM "M" ±0.25	CONTACT TYPE
E	[5.59]	SIGNAL
R	[6.86]	SIGNAL
S	[6.86]	SIGNAL
T	[6.86]	SIGNAL
U	[6.86]	SIGNAL
PA	[N/A]	POWER
HA	[N/A]	HOLD-DOWN
X	OMITTED	OMITTED

mat'l code				SEE NOTES		tolerances unless otherwise specified		CUSTOMER		www.fciconnect.com	
ltr	ecn no.	dr	date	linear	0.X ±0.5		COPY		title 24S + 5P + 1M + 7P RIGHT ANGLE SOLDER HEADER		
H					0.XX ±0.25		projection				
					angles	0.XXX ±0.1				product family PwrBlade code 213	
				dr		0° ±2°				size dwg no 51484 sheet 3	
				enr	LEV - IV 02-04-98		scale 1:1		cage code 22526		
				chr	J. BROWN 02-04-98		A				
				appd	J. BROWN 02-04-98						
sheet index	revision sheet										

Pro/E

cage code 22526